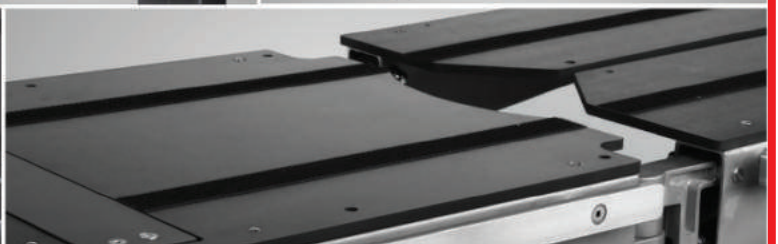


TABLE D'OPÉRATION



MT600



MT600
Gas spring
Leg Plate



MT600
Tabletop Elevation



MT600
Optional Orthopedic
Traction Frame



MT600
Tabletop Motions



Lateral tilt (left/right)



Flexural position



Kidney bridge(up)



Trendelenburg/Anti-trendelenburg

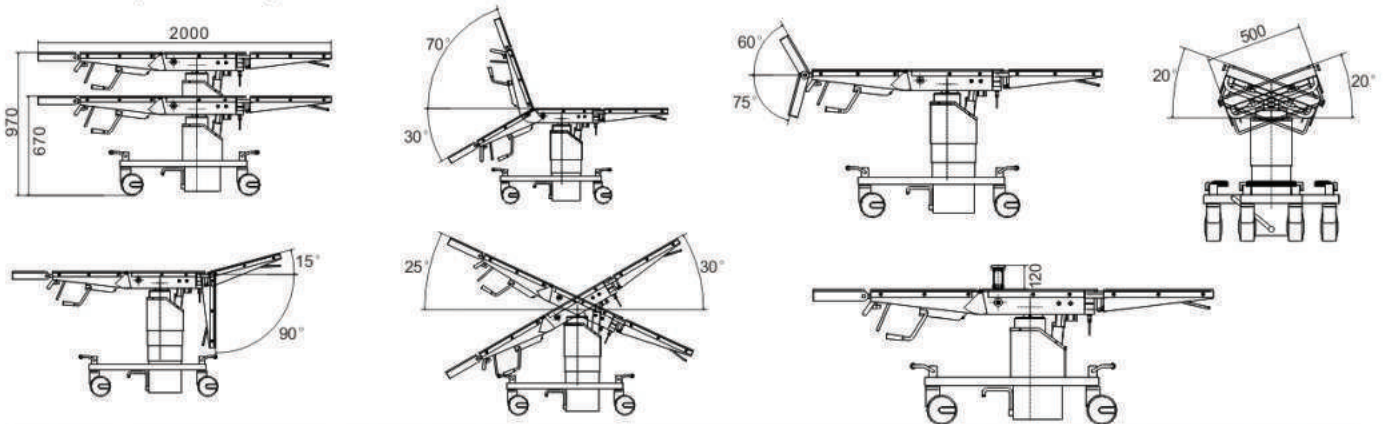
MT600
Gas spring
Back plate(up/down)





MT600 Manual Hydraulic Operating table

MT600 operation position sketch



Main Technical Data

Parameters may have reasonable error.

MT600 Manual Hydraulic Operating table

Length and width for tabletop	≥2000/≥500mm
Elevation(down/up)	≤670/≥970mm
Trendelenburg/Anti-trendelenburg	≥30°/≥25°
Lateral tilt(left/right)	≥20°/≥20°
Head plate(up/down)	≥60°/≥75°
Back palte(up/down)	≥70°/≥30°
Leg plate(up/down/outward)	≥15°/≥90°/≥90°
Kidney bridge(up)	≥120mm
Maximum load capacity	≥180 Kg